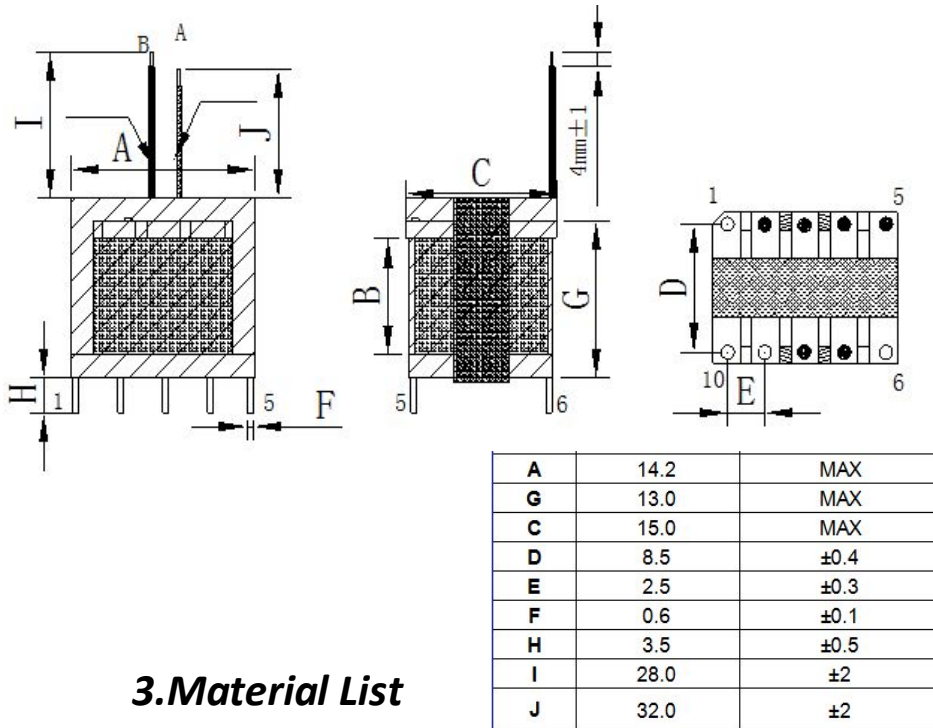


CUSTOMER TERMINAL	ROHS	Lead(Pb)-free
	YES	YES



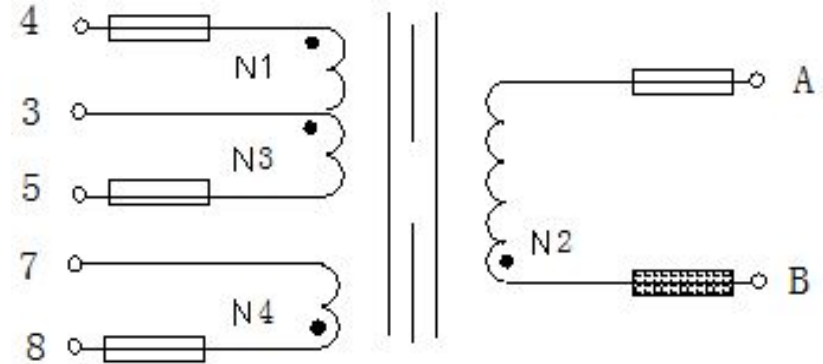
1.Mechanical Dimensions



3.Material List

Core:FW44 EE13/12/6
 Bobbin:FWB1302(5+5PIN)
 Wire:2UEW TIW
 Operating Temperature: -30 to115 °C

2.Schematic Diagram



4.Electrical Specification

Inductance:L(4-5):1.3mH±5% 100KHZ 、 0.8V
 Leakage Inductance : 16uH MAX 100KHZ 、 0.8V
 DCR : (4-5)=6.35Ω MAX (7-8)=2.75Ω MAX
 Hi-Pot:P-S: AC 60Hz 4000V 1mA 3S
 S-CORE:AC 60Hz 4000V 1mA 3S

REV.	DATE	 Convention Placement	DRW.	Drawing Title: TRANSFORMER	Part No: FWPT EE13V132J
0	00/00		CHK.		
			APP.		
ROHS		www.ferriwo.com	Customer P/N	Specification Sheet 1of 1	